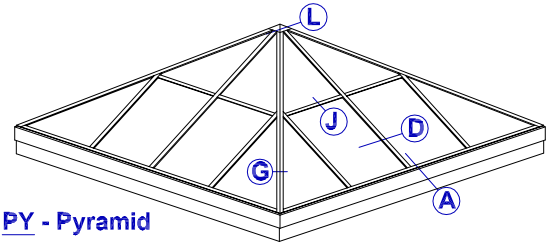


ARCHITECTURAL - METAL FRAMED SKYLIGHTS

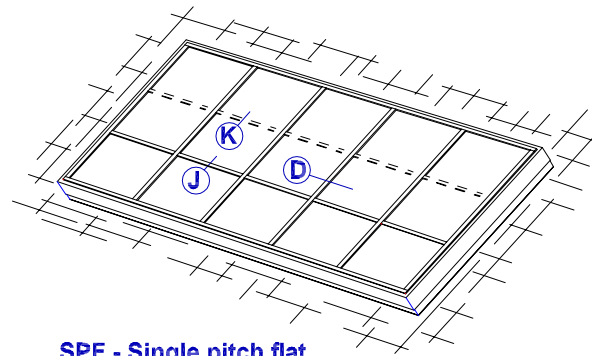
CONFIGURATIONS USING MULTIWALL POLYCARBONATE PANELS

EXARC Slope glazed system accommodates custom pitch, size and configuration requirements with standard connection designs.

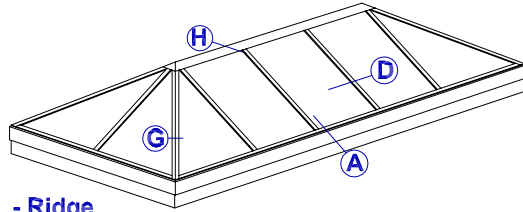
MINIMUM SLOPE FOR MULTIWALL POLYCARBONATE PANELS IS 5°



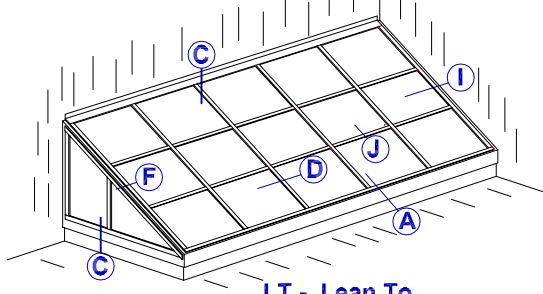
PY - Pyramid



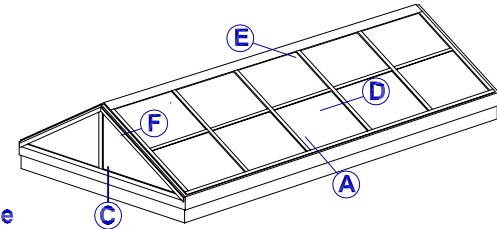
SPF - Single pitch flat



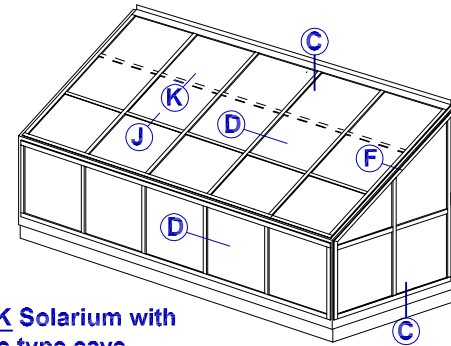
RG-HE - Ridge with hipped ends



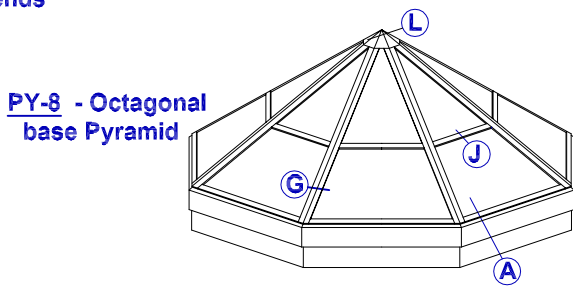
LT - Lean To



RG-VE - Ridge with vertical ends

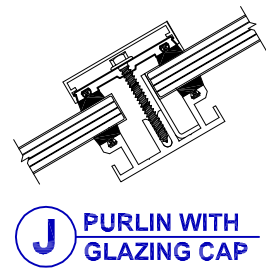


SL-K Solarium with knee type eave

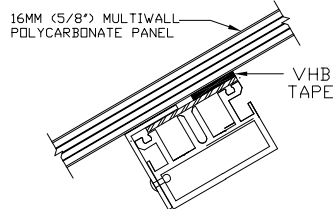


PY-8 - Octagonal base Pyramid

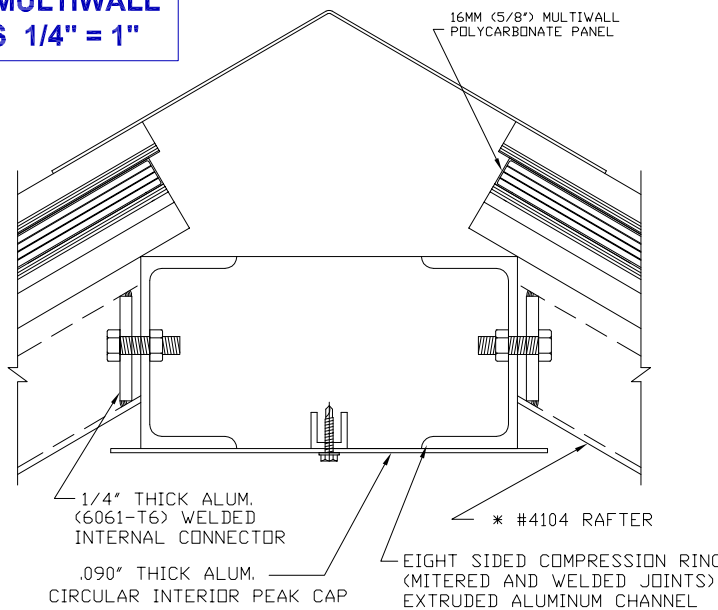
TYPICAL SECTIONS WITH MULTIWALL POLYCARBONATE PANELS 1/4" = 1"



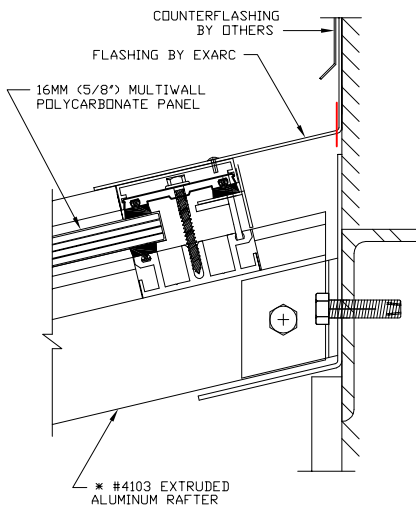
J PURLIN WITH GLAZING CAP



K PURLIN WITHOUT GLAZING CAP

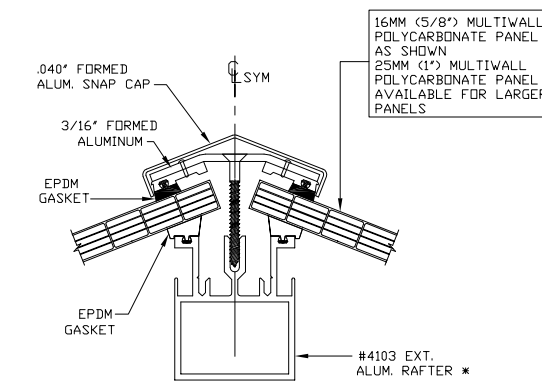


L SECTION - COMPRESSION RING AT PEAK OF PYRAMID

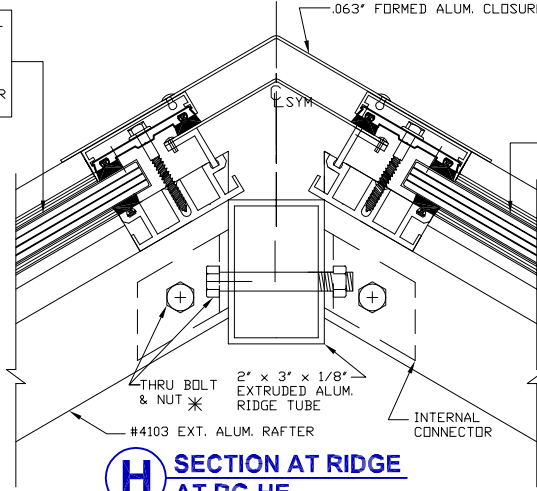


M HEAD CONNECTION TO WALL

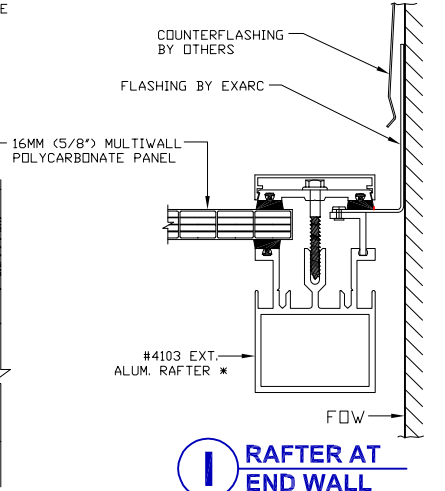
TYPICAL SECTIONS WITH MULTIWALL POLYCARBONATE PANELS 1/4" = 1"



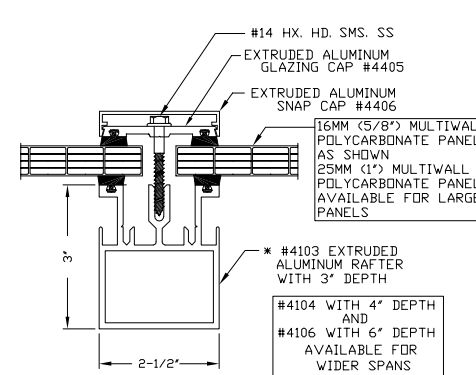
G HIP RAFTER



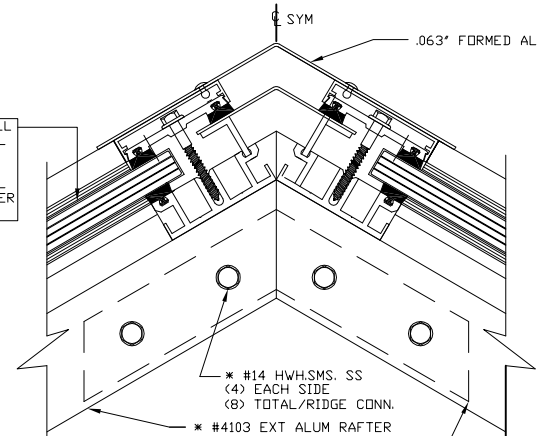
H SECTION AT RIDGE AT RG-HE



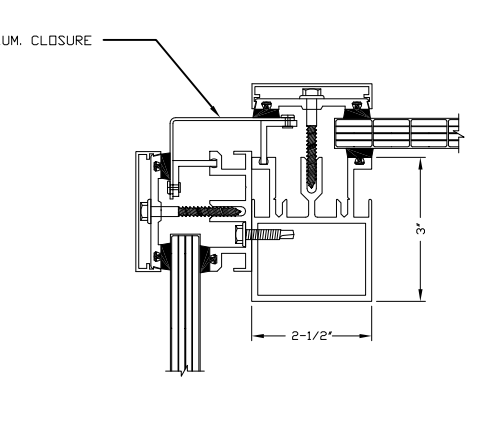
I RAFTER AT END WALL



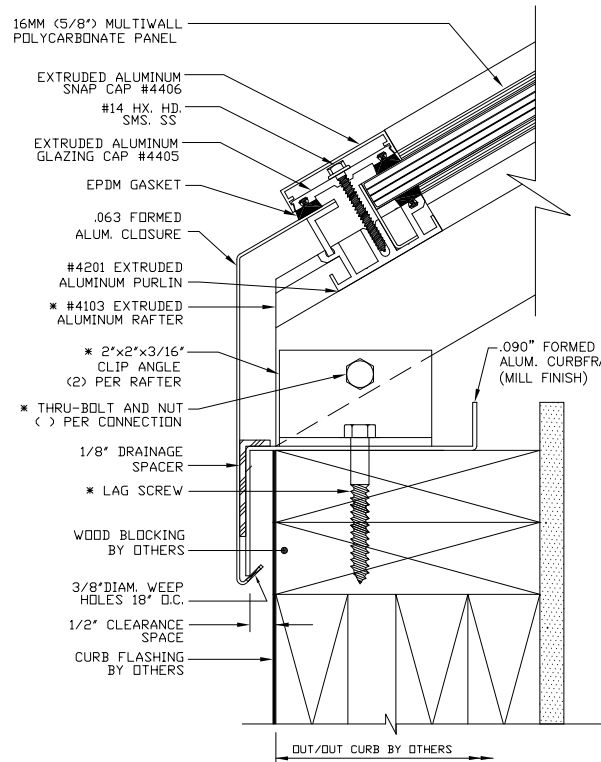
D TYPICAL RAFTER ASSEMBLY AT SLOPED GLAZING



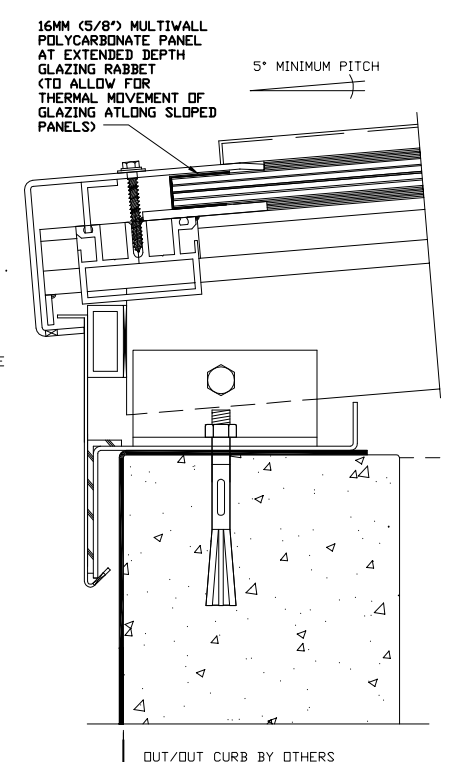
E SECTION AT RIDGE AT RG-VE



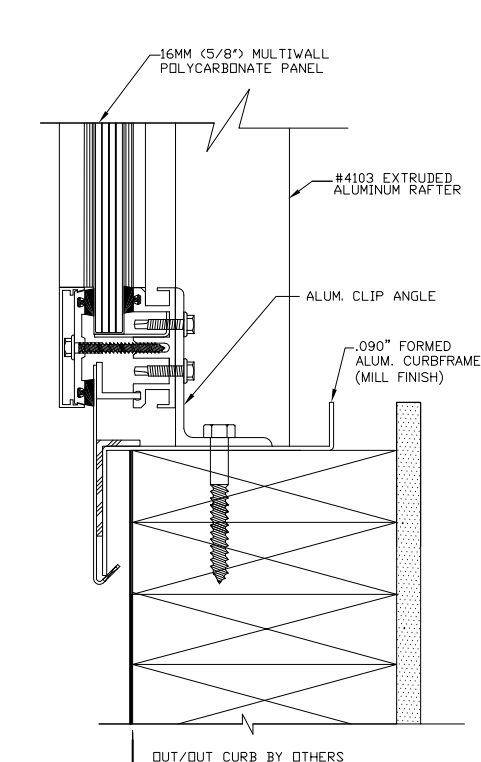
F END RAFTER



A TYPICAL RAFTER CONNECTION TO CURB AT SILL OF SLOPED GLAZING



B CONNECTION TO CURB AT SILL MULTIWALL POLYCARBONATE PANEL GLAZING



C SILL CONNECTION AT VERTICAL GLAZED END